
PLUG, IN-LINE

Part No. ME 560P7

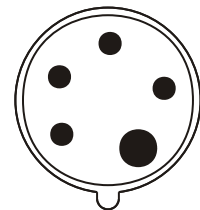
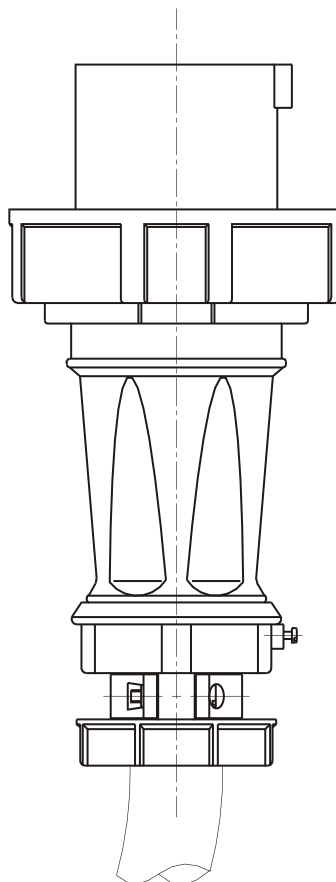
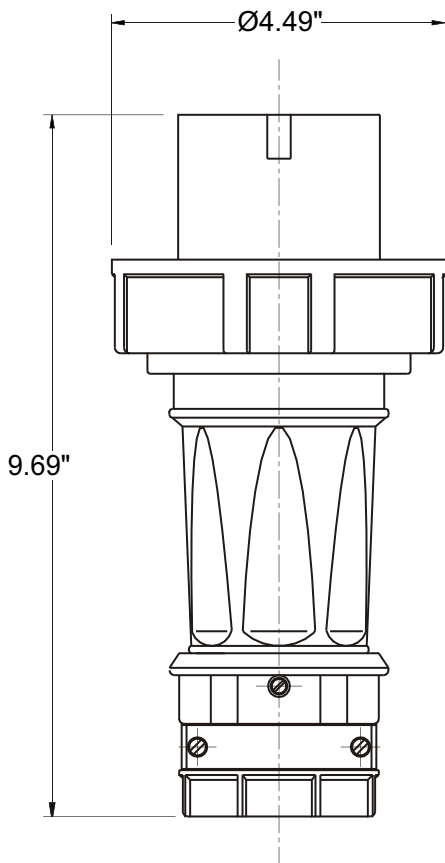
Description: 60 Amp 3 Y 277/480Vac 4 Pole, 5 Wire Plug

Construction: Splashproof IEC IP 54

Approvals: UL Listed Standards 1682; 1686
CSA Certification to Spec. C22.2 No. 182.1
IEC 60309-1; IEC 60309-2

IEC COLOR CODE: Red

GROUND SOCKET: 5 Hour Position Mates with Female in 7 Hour Position.



Front View of Plug

Wire Range: #4 - #8 AWG
Cord Range: .57" - 1.42"
Threaded Cable Entry: 1 1/2" NPT

Drawing Not to Scale